

TermoMax electric boiler

120 - 300 kW

230 / 400V

TermoMax electric boiler is an energy-efficient and compact electric boiler.

- High efficiency
- Simple assembly
- Takes up little space
- Service-friendly
- Electronic regulator 7-15 steps
- Control from SD system
- Power regulation
- Outdoor temperature compensation
- Cascade connection of several boilers



TermoMax electric boilers are equipped with:

- Voltage monitor
- Water shortage protection
- Protection against burnt contacts

Technical data

Model	TermoMax 120	TermoMax 150	TermoMax 180	TermoMax 210	TermoMax 255	TermoMax 300
Power kW	120 kW	150 kW	180 kW	210 kW	255 kW	300 kW
Control current	1 x 230V 50 Hz					
Heating element	8 x 15 kW	10 x 15 kW	12 x 15 kW	14 x 15 kW	17 x 15 kW	20 x 15 kW
Water capacity	95 litres			156 litres		
Max working pressure	6 bars					
Max working temperature	90°C					
Pipe connection	DN80 - PN16			DN125 - PN16		
Height *	1420 mm					
Width	745			1030		
Depth	670					
Weight (empty)	250 kg	269 kg	283 kg	361 kg	381 kg	391 kg
Pressure drop v/10K delta-t	4.8	9.5	12.8	3.6	7.2	11.8

* For element replacement, there must be a clear height of 700 mm above the boiler.



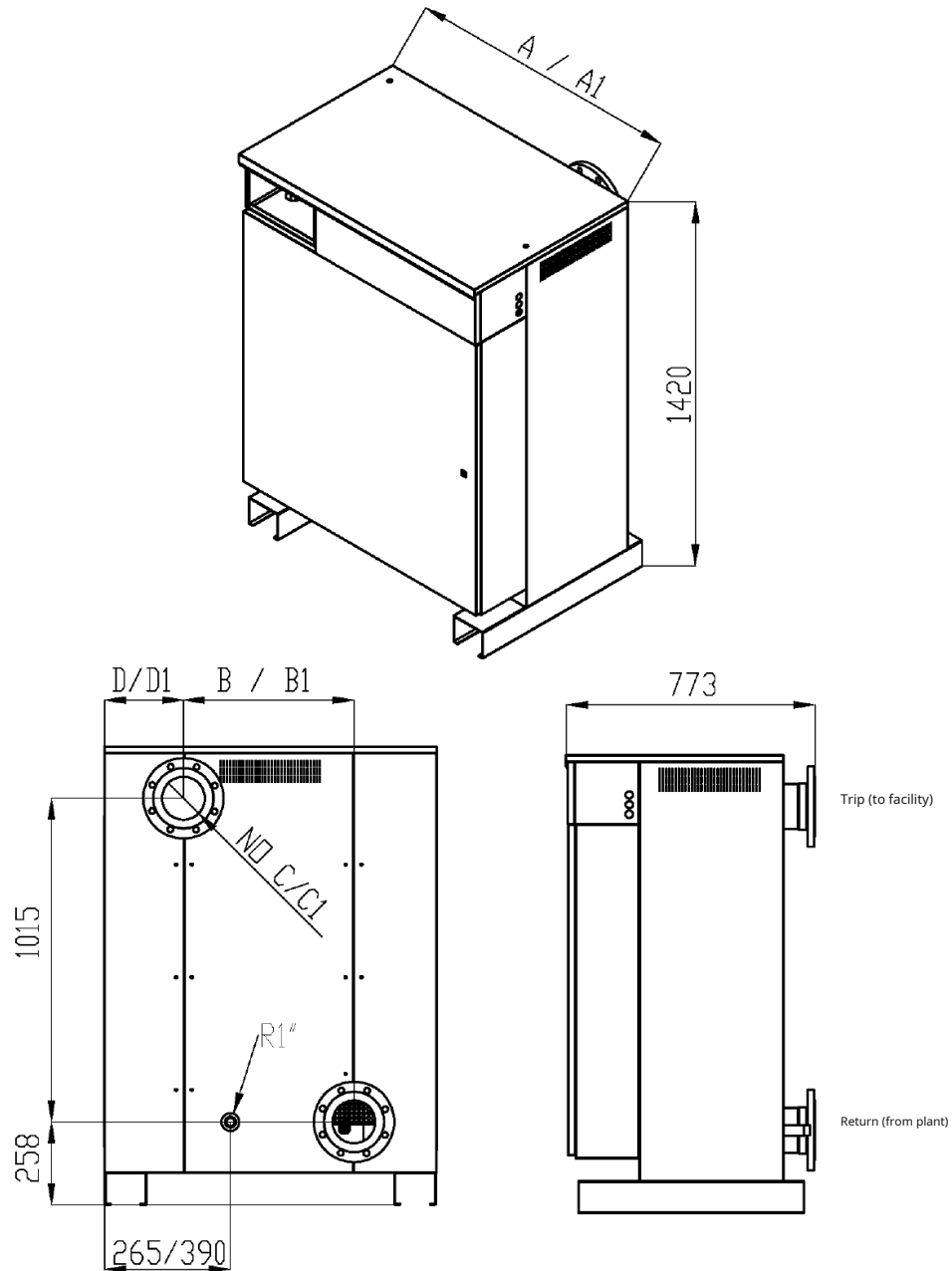
Oslo/Sandvika
Bergen
Moss
www.sgp.no

Phone: 67 52 21 21
Phone: 55 95 06 00
Phone: 69 20 54 90

TermoMax electric boiler

120 - 300 kW

230 / 400V



	A mm	A1 mm	B mm	B1 mm	C mm	C1 mm	D mm	D1 mm
TermoMax 120 - 180 kW	743	-	305	-	80	-	200	-
TermoMax 210 - 300 kW	-	1033	-	530	-	125	-	245



Oslo/Sandvika
Bergen
Moss
www.sgp.no

Phone: 67 52 21 21
Phone: 55 95 06 00
Phone: 69 20 54 90