

Sirkulasjonspumpe 5kw

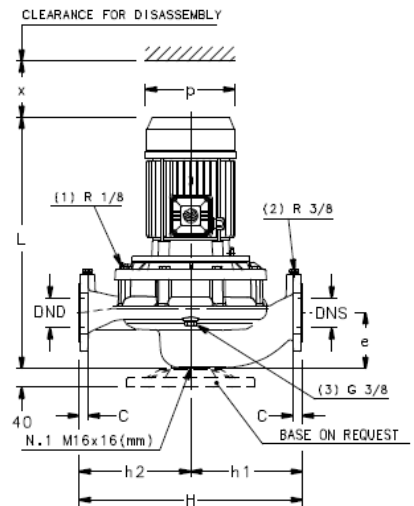
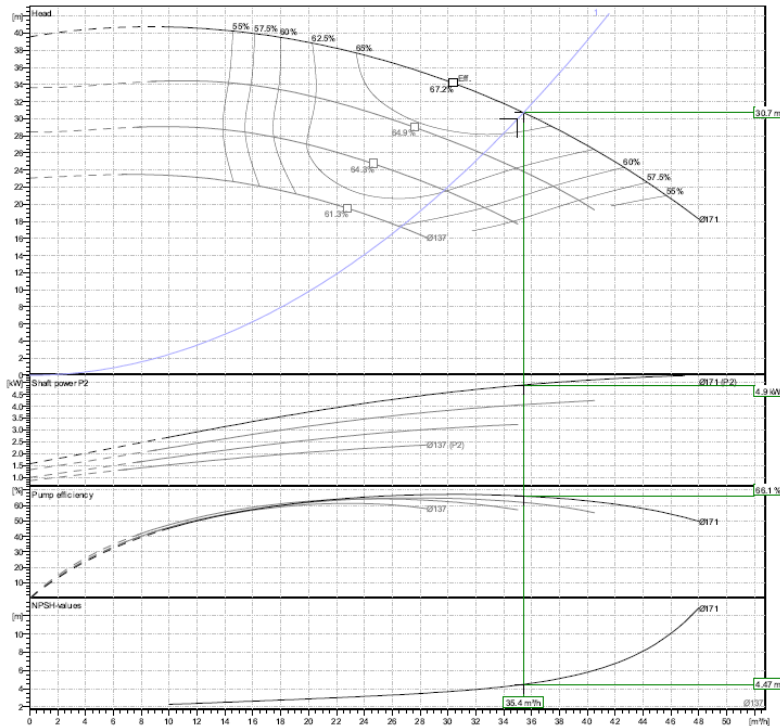
data

Pumpe type	Single head pump		
Manufacturer	Lowara	Electric v oltagte	400 V
Specific design	IE3 Three phase surface motor		
Type	PLM112.../355 E3		
Rated power	5.5 kW	Electric current	10.5 A
Speed	2900 rpm	Degree of protection	IP 55
Frame size	112	Weight	38 kg
Insulation class	F	Colour	RAL 5010

Connections mm

Suction nozzle	Discharge nozzle
DN 40	DN 40
PN 16	PN 16
EN1092-2 (NSC-LNE) EN1092-2 (NSC-LNE)	

Power datas referred to:
Etylen Glykol 40% mix [40%] ; -10°C; 1100kg/m³; 0.315mm²/s
Performance according to ISO 9906:2012 – Grade 3B



FLANGE					
EN1092-2, PN 16 (*)					
DN	D	K	C	df	L
32	140	100	18	76	4x19
40	150	110	18	84	4x19