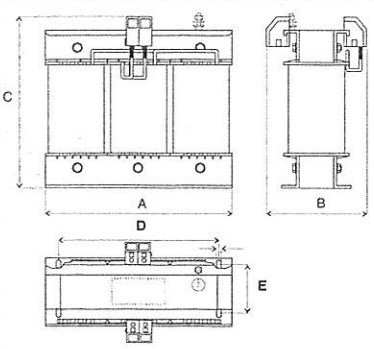


FEATURES



WIDTH A	480 mm
DEPTH B	260 mm
HEIGHT C	440 mm
FIXING WIDTH D	424 mm
FIXING DEPTH E	170 mm
dimensional tolerance +/-	2 mm
IRON TYPE	M250-50A
Choke	tropicalized
VENTILATION	AIR NATURAL
INS./THERM. CLASS	F/F
environment temperature	25 - 40 ° C
Connectors	TIANLI 65A
FIXING	FLOOR

The position of terminal blocks is entirely coincidental IP 20
 Drawing useful to understand only the maximum size of the machine

EUROPEAN STANDARDS

The chokes were designed and constructed in accordance with the requirements set forth in accordance with European CEI EN 61558 and the European Directives 2006/95/CE (low voltage and CE marking) and 2004/108/CE (electromagnetic compatibility).

WARNINGS

The manufacturer not assumes responsibility for any damage caused to people or animals things, by failure with all rules described in this datasheet.

The installation of the choke according to the information given in the instructions for use must be made mandatory by a qualified electrician, possess the technical and professional requirements expected by regulations.

Must be sure to remove the tension electrical panel before running the installation of the choke according to the information given in the instructions for use.

Is required to connect the terminal land choke circuit earthing of electrical panel where it is installed.

TEST

1 **Size check:** OK

2 **Electric Strength :** (Tested with 50 Hz sinusoidal voltage applied for 60")
Between windings : > 3 KV
Between windings and ground: > 3 KV OK
 OK

Test held second European standard CEI EN 61558-1:2005-11.

3 **No load test**
 Terms of test : Temperature 20°C

Specific Data	SUPPLY	No load voltage (V) ± 3%	NO LOAD CURRENT	NO LOAD LOSSES
	V1 ± 3%	V 20 (V) ± 3%	Io (A) ± 20%	P0 (w) ± 20 %
	230	401,8	1,04	184

4 **LOSSES**
 On Inom and 115°C

Pcc (W) +-10%	674		
vcc %	3,5	VCCF	3,07
		VCCX	1,65

ISTRUZIONI PER L'USO

Before any action is required to read and understand in all its shares this data sheet and also make sure to remove the tension electrical panel. When the weight of the transformer is greater than or equal to 20 kg is required to carry out the lifting and handling through two operators and / or through appropriate devices.

- 1- TECHNICAL DESCRIPTION
 Isolating Transformer : this is a transformer with protective measures of separation between the input and the output windings, designed to limit the risk due to contacts between the earth and any live conductor which may become exposed due to failure of the insulation.
 Safety Transformer : this is an isolating transformer for powering circuits with a very low safety voltage.
- 2- DESTINATION FOR USE: The transformer in question can only be installed within an electrical panel in full respect of the project data circuit, the technical characteristics of the processor (see plate data) and regulations in the country use.
- 3- LIMITS OF USE: is strictly forbidden to use the processor in question inappropriately for uses other than that provided by the manufacturer (see 2) and at altitudes over 1000 metres.
- 4- INSTRUCTIONS FOR USE: 1) set the framework electrical transformer with 4 screws appropriate section and 4 washers (type: elastic flat teeth with external UNI 3703-56); 2) connect the power cords inbound to terminal primary; 3) connect the power cord
- 5- DEMOLITION : at the time of demolition of processors, must comply with the regulations by taking the differentiation of shares constituting the processor (sheets, coils, terminals) according to the different types of construction materials (iron, copper, plastic, etc....).

6 - WARRANTY: The manufacturer guarantees the transformer in question for a period of 12 (twelve) months from the date of purchase. The guarantee covers only the repair or replacement of transformer or its parts, in case there is a defect manufacturing.

DATA PLATE AND MARKING CE
 E' costituita da una etichetta adesiva in Poliestere di colore grigio, stampa colore nero a trasferimento termico (indelebile).

LANNE Trafo AS CEI EN 61558-2-4 CE	THREE PHASE TRANSFORMER		
	NR: 2361/19	COD: LNNT3B22001	
	KVA : 22	Hz : 50-60	
	V1 : 230 V	d I1:55.2 A	IP 20
	V2 : 400 V	Y I2:31.8 A	CLASS IS. F
	PHASE-DISPLACEMENT GROUP: dYN11		Uk % : 3.5
INSULATION : 3 KV		COOLING AN	KG : 113

17/06/2019 SIGNATURE :